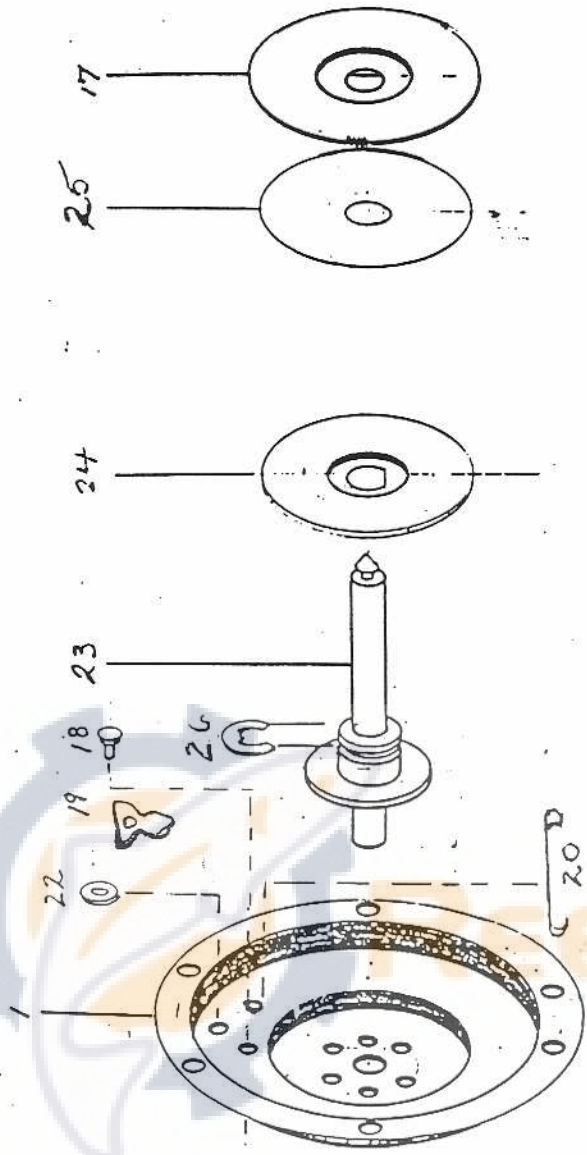


(SD-1213)



DWG II

PART NUMBER	DESCRIPTION	QUANTITY
17	274P RATCHET FRICTION PLATE	1
18	9/2 PAWL STUD	3
19	B-21 CLICK PAWL	1
20	9/3 LEAF SPRING	1
21		
22	914 SPACER (USED UNDER B-21)	1
23	905 SPINDLE	1
24	306S - PRESSURE PLATE	1
25	273 BRAKE LINER	1
26	161S RETAINER	1